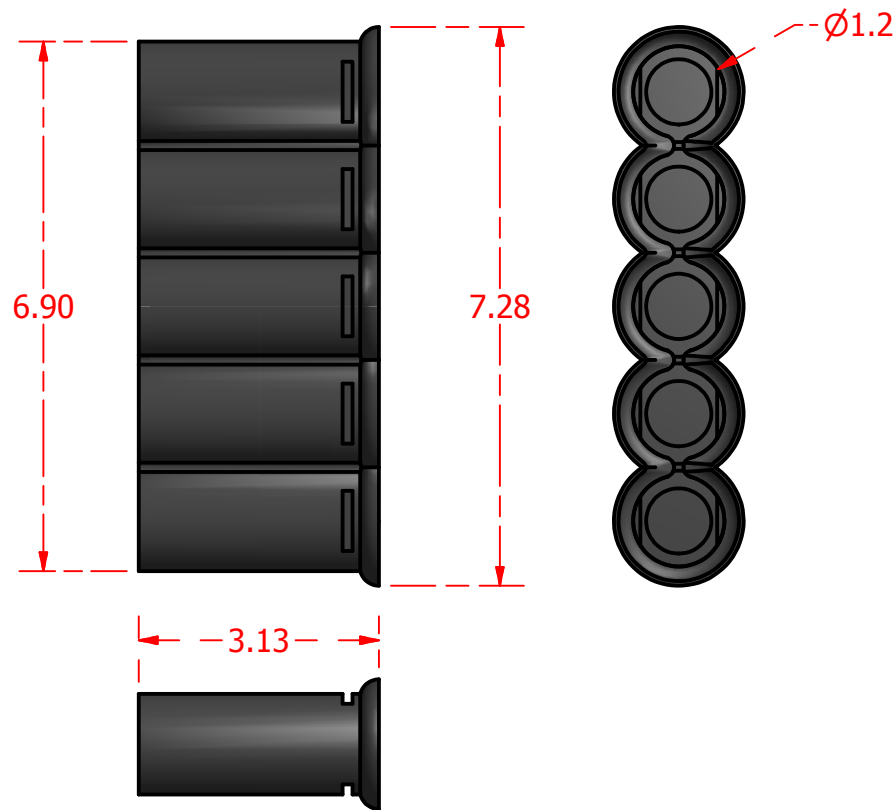
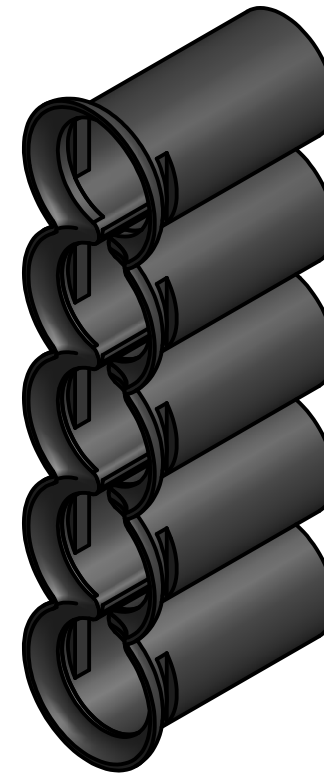


Standard Profiles



Isometric Views



Multi-Flow Product Data Sheet - #06001 6" Endcap



Manufactured by Varicore Technologies, Inc. - Prinsburg, MN 56281 - 800.978.8007
 The Multi-Flow logo is Copyright protected, all rights reserved.
 US Patent Protect - 9483745856834

PROPERTY

VALUE

Material Composition.....	High Density Polyethylene
Attachement Method.....	Snap and Lock
Orientation.....	Horizontal or Vertical