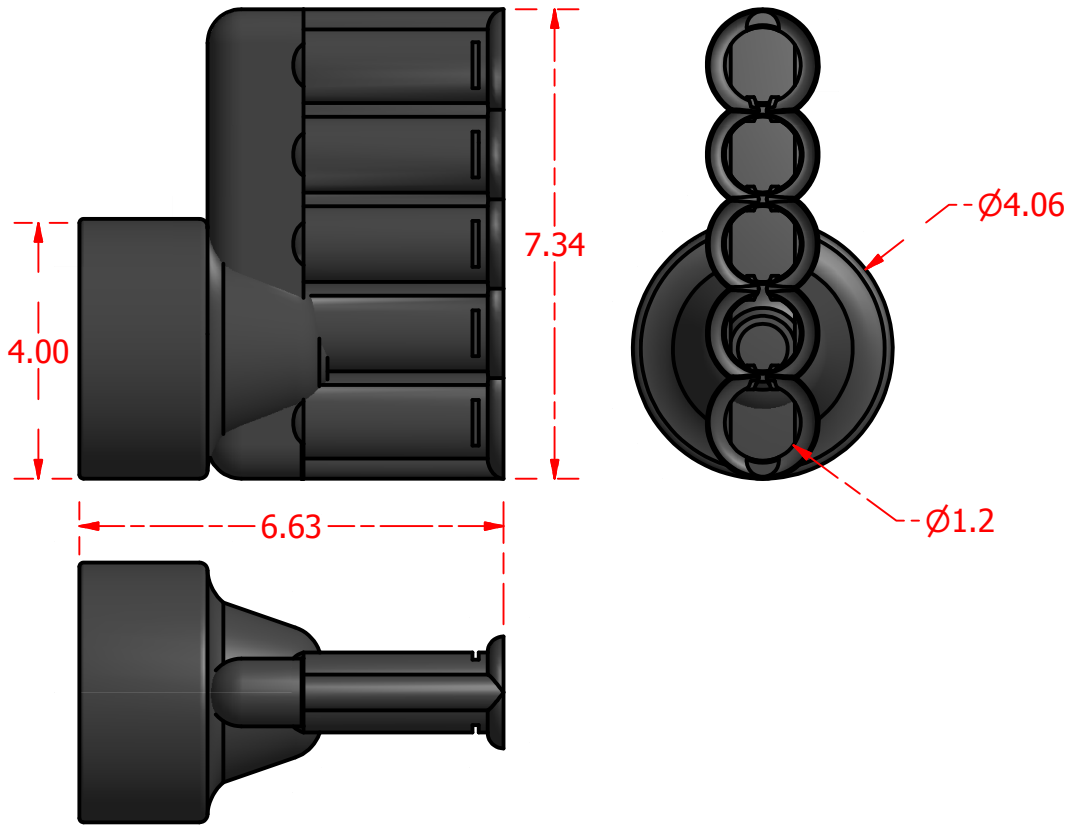
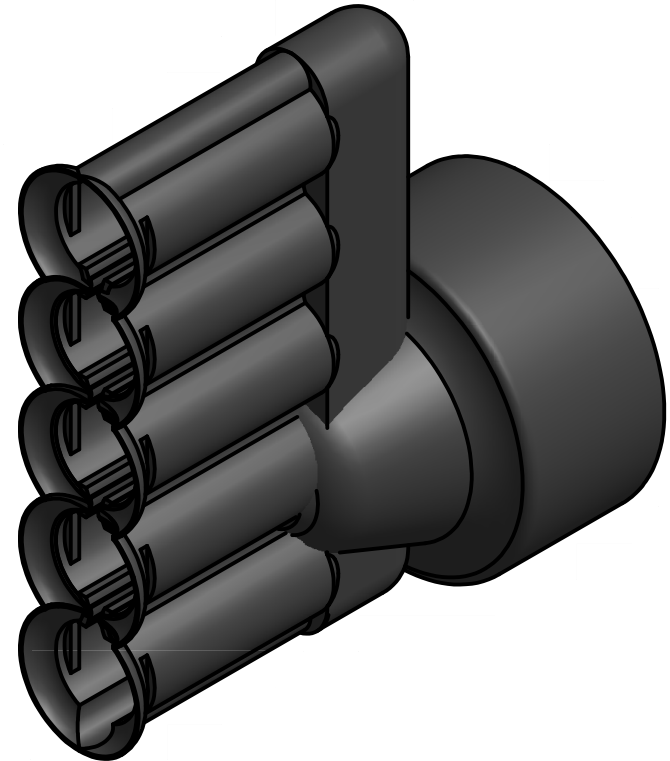


## Standard Profiles



## Isometric Views



## Multi-Flow Product Data Sheet - #06004 6" End Outlet



Manufactured by Varicore Technologies, Inc. - Prinsburg, MN 56281 - 800.978.8007

The Multi-Flow logo is Copyright protected, all rights reserved.

US Patent Protect - 9483745856834

### PROPERTY

### VALUE

Material Composition.....	High Density Polyethylene
Attachement Method.....	Snap and Lock
Orientation.....	Horizontal or Vertical