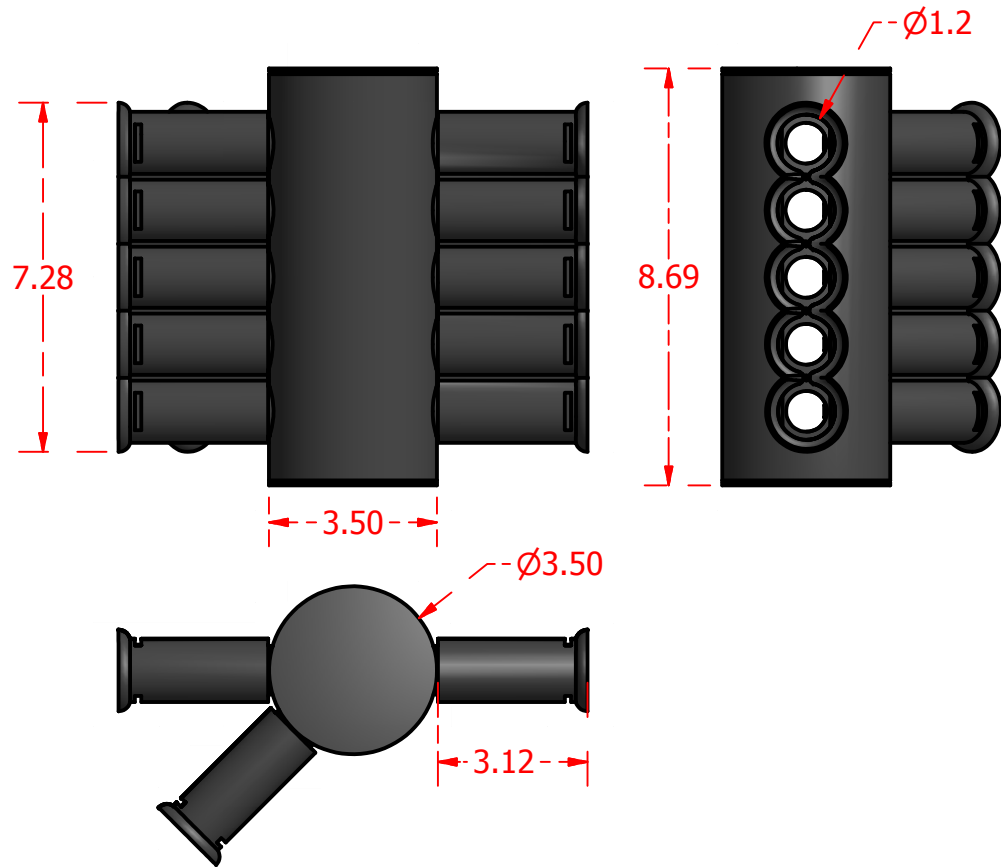
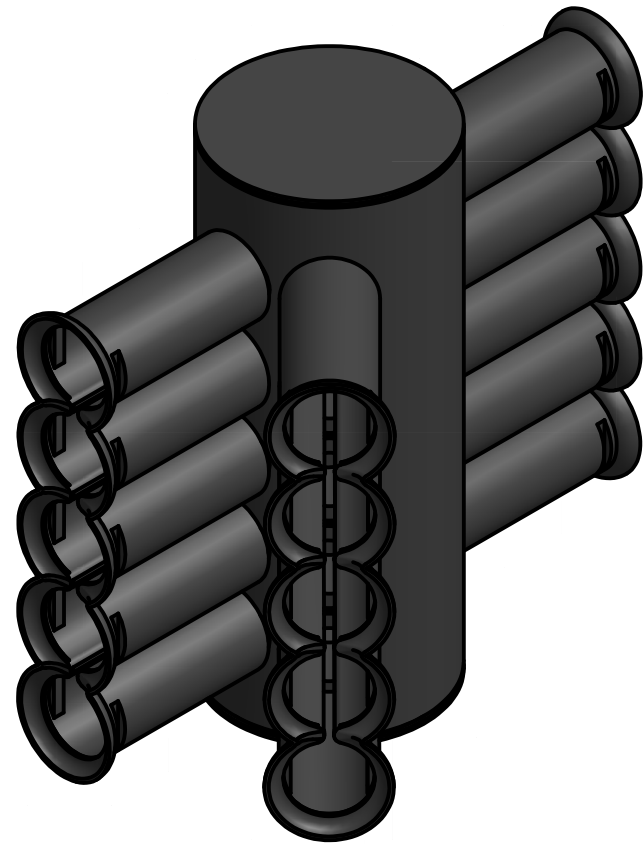


Standard Profiles



Isometric Views



Multi-Flow Product Data Sheet - #06005 Multi-Purpose 6" Y



Manufactured by Varicore Technologies, Inc. - Prinsburg, MN 56281 - 800.978.8007

The Multi-Flow logo is Copyright protected, all rights reserved.

US Patent Protect - 9483745856834

PROPERTY

VALUE

| | |
|---------------------------|------------------------|
| Material Composition..... | Thermoplastic |
| Orientation..... | Vertical |
| Connection Type..... | Multi-Flow / 3" Sch 40 |