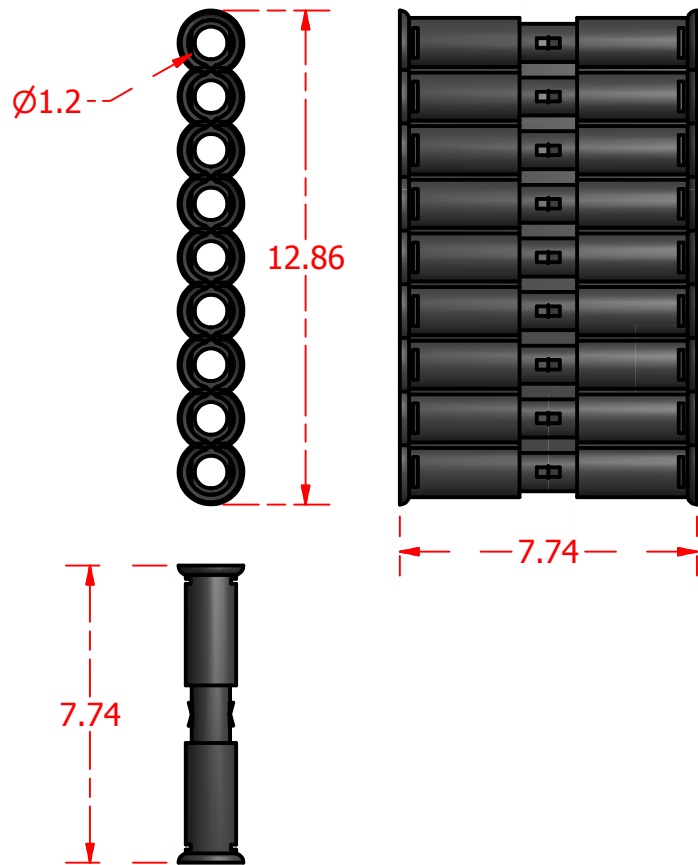
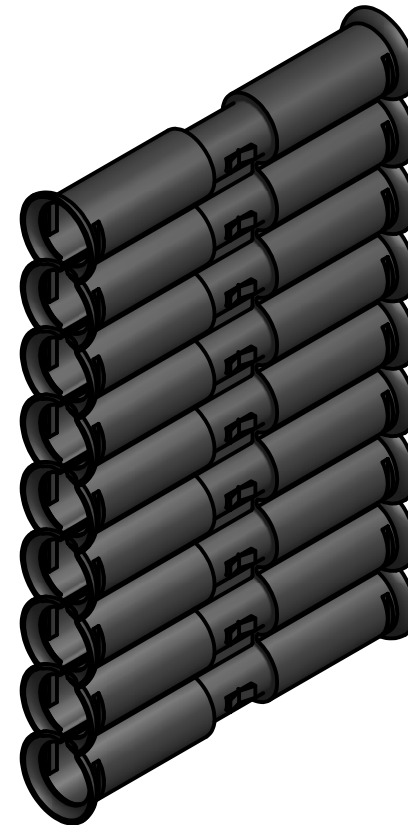


## Standard Profiles



## Isometric Views



## Multi-Flow Product Data Sheet - #12002 12" Coupler



Manufactured by Varicore Technologies, Inc. - Prinsburg, MN 56281 - 800.978.8007

The Multi-Flow logo is Copyright protected, all rights reserved.

US Patent Protect - 9483745856834

### PROPERTY

Material Composition.....High Density Polyethylene  
 Attach Method.....Snap and Lock  
 Orientation.....Horizontal or Vertical

### VALUE