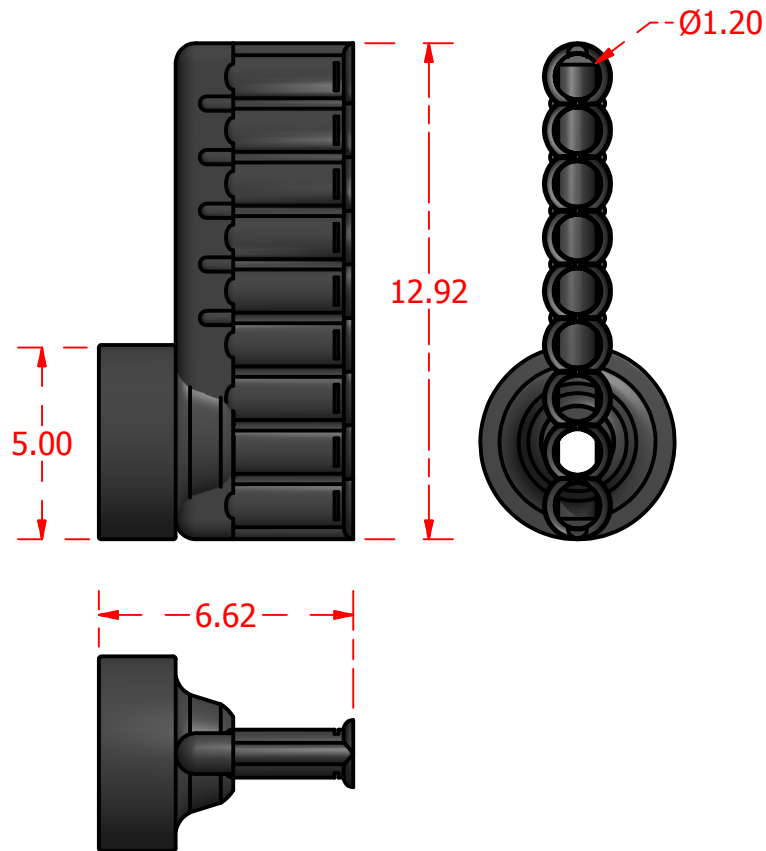
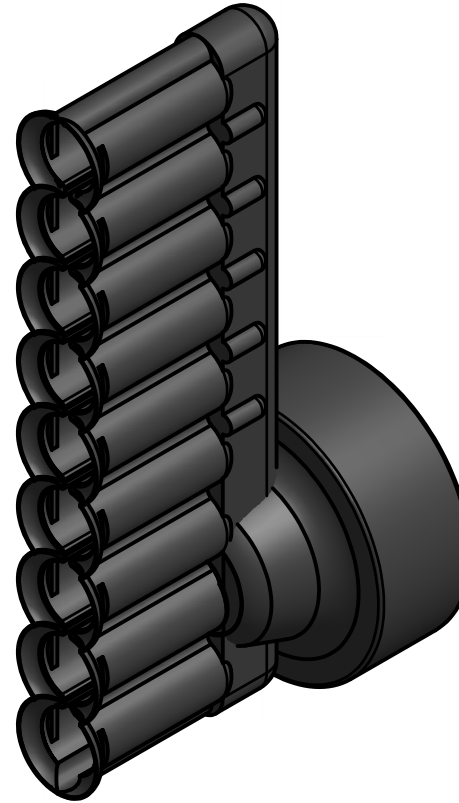


Standard Profiles



Isometric Views



Multi-Flow Product Data Sheet - #12004 12" End Outlet



Manufactured by Varicore Technologies, Inc. - Prinsburg, MN 56281 - 800.978.8007

The Multi-Flow logo is Copyright protected, all rights reserved.

US Patent Protect - 9483745856834

PROPERTY

VALUE

Material Composition.....	High Density Polyethylene
Attach Method.....	Snap and Lock
Orientation.....	Horizontal or Vertical