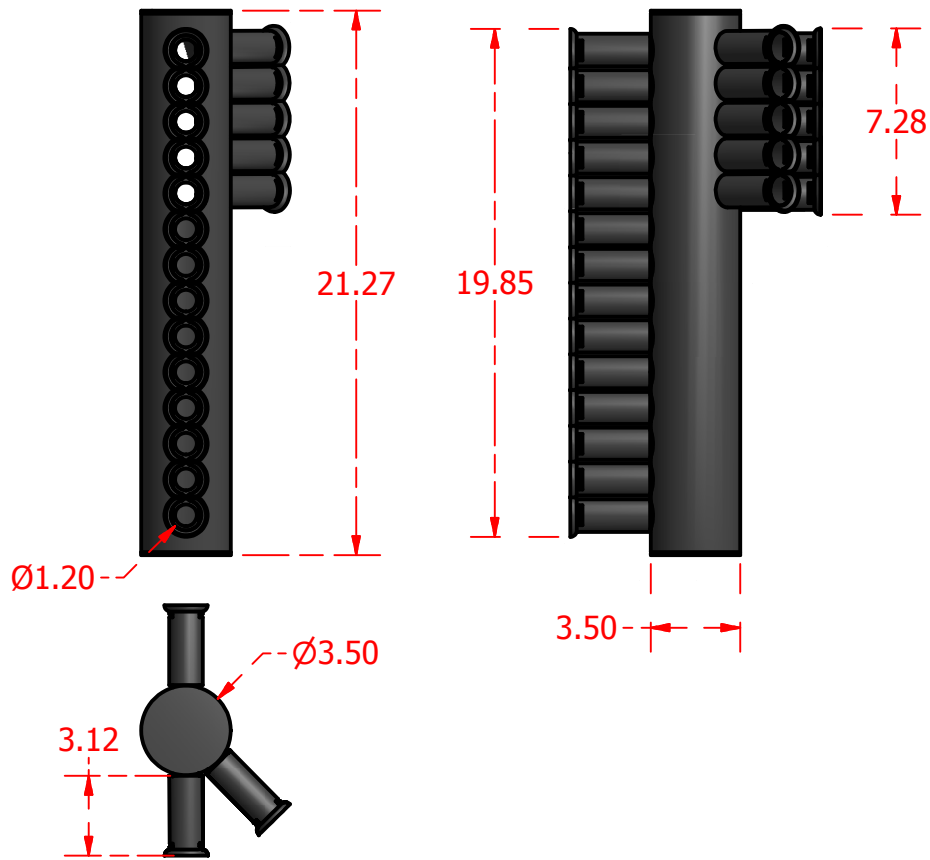
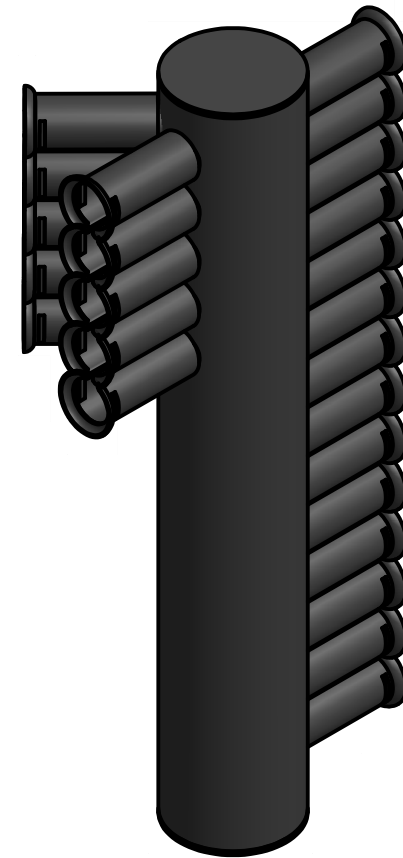


Standard Profiles



Isometric Views



Multi-Flow Product Data Sheet - #1800C Multi-Purpose 18" to 6" with 6" with 6" Y (Right)



Manufactured by Varicore Technologies, Inc. - Prinsburg, MN 56281 - 800.978.8007

The Multi-Flow logo is Copyright protected, all rights reserved.

US Patent Protect - 9483745856834

PROPERTY

VALUE

Material Composition.....	Thermoplastic
Orientation.....	Vertical
Connection Type.....	Multi-Flow / 3" Sch 40