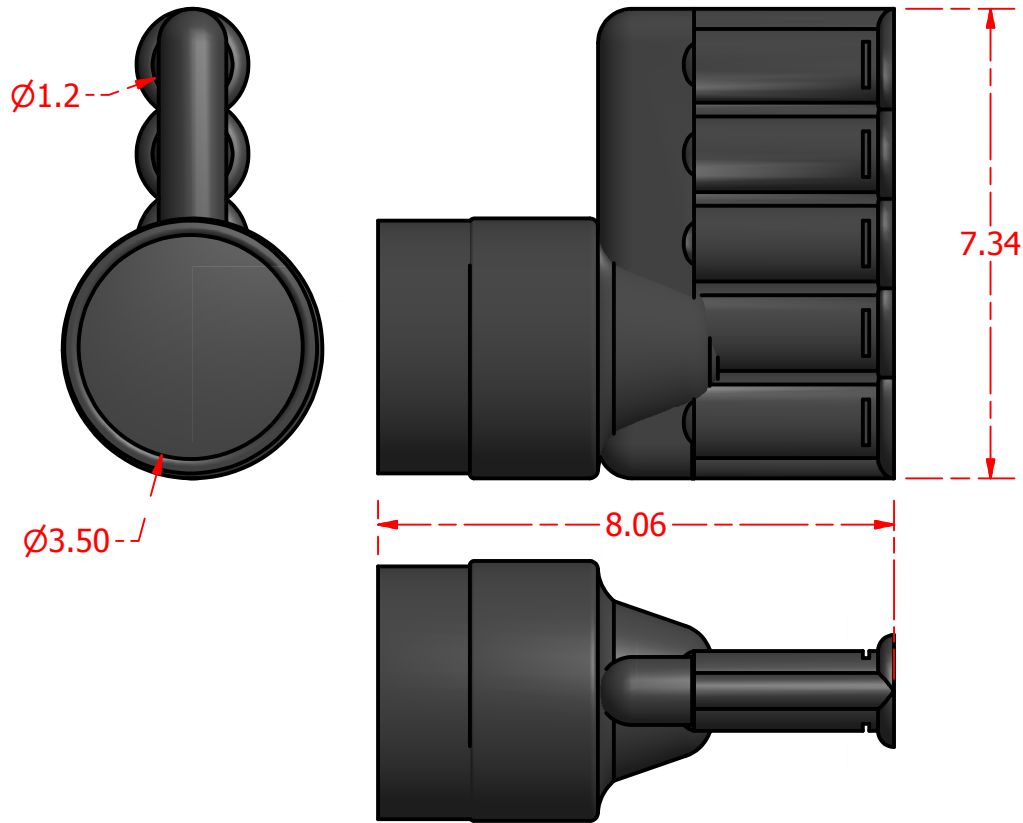
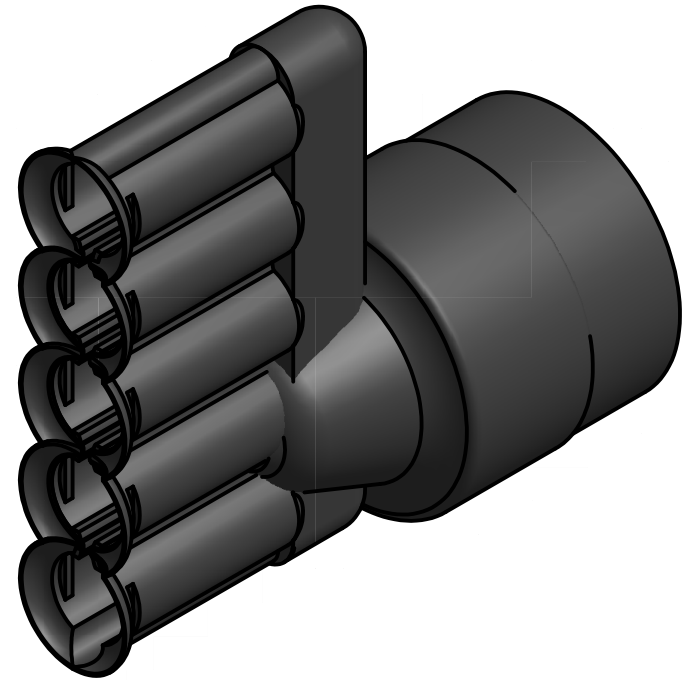


Standard Profiles



Isometric Views



Multi-Flow Product Data Sheet - 6" End Outlet to 3" Solid (#06044)



Manufactured by Varicore Technologies, Inc. - Prinsburg, MN 56281 - 800.978.8007

The Multi-Flow logo is Copyright protected, all rights reserved.

US Patent Protect - 9483745856834

PROPERTY

Material Composition.....	Thermoplastic
Orientation.....	Horizontal or Vertical
Connection Type.....	Multi-Flow / 3" Sch 40 PVC \ ABS

VALUE