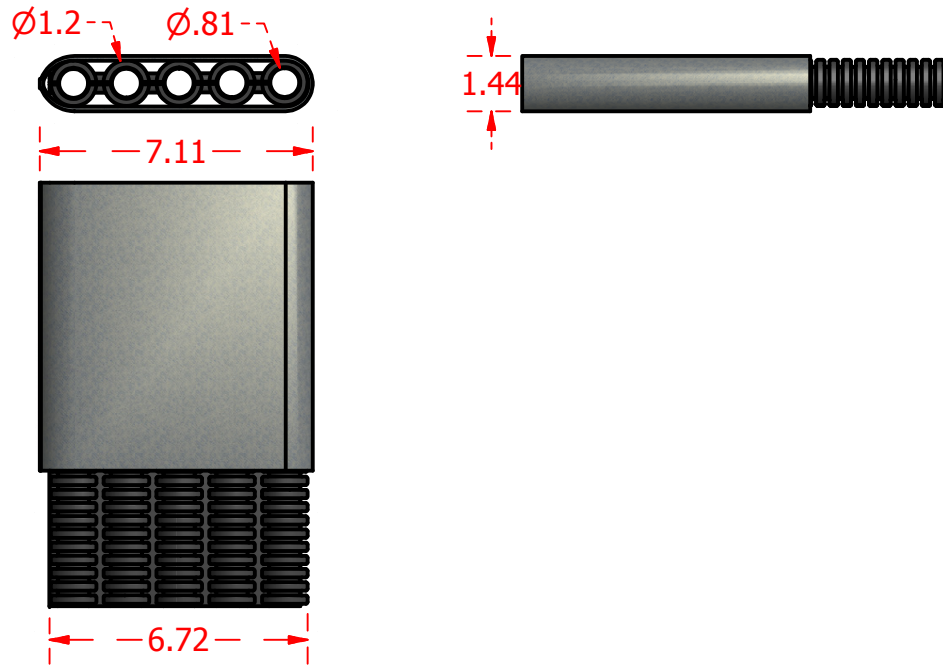
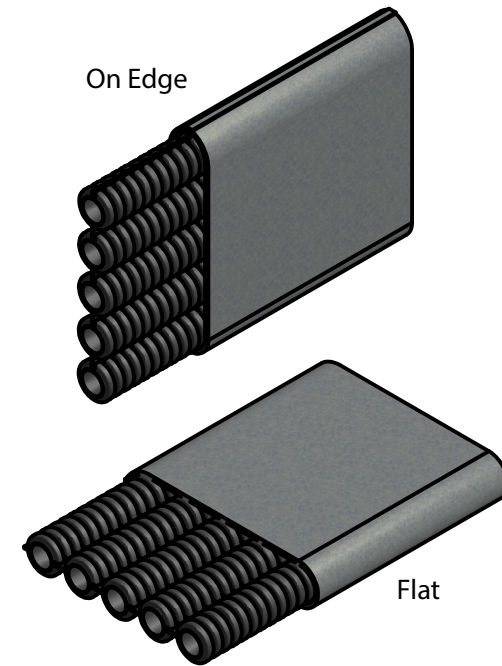


Standard Profiles



Isometric Views



Multi-Flow Product Data Sheet - #06300 6" Multi-Flow Drain Pipe

Drainage Core

Property	Test Method	Value
Thickness, inches.....	ASTM D-1777.....	1.0
Flow Rate, gpm/ft *.....	ASTM D-4716.....	29
Compressive Strength, psf.....	ASTM D-1621 (sand method).....	6000
Perforations / sq. ft.....		>300
Standard Roll Length, ft.....		125



Manufactured by Varicore Technologies, Inc. - Prinsburg, MN 56281 - 800.978.8007

The Multi-Flow logo is Copyright protected, all rights reserved.
US Patent Protect - 9483745856834

Geo-Textile Filter

Property	Test Method	Value
Weight (oz/sq2).....	ASTM D-3776.....	.4
Tensile Strength.....	ASTM D-4632.....	100
Elongation, %.....	ASTM D-4632.....	50
Puncture, lb.....	ASTM D-4833.....	50
Mullen Burst, psi.....	ASTM D-3786.....	200
Trapezoidal Tear, lb.....	ASTM D-4533.....	42
Coefficient of Perm, cm/s.....	ASTM D-4491.....	0.1
Flow Rate, gpm/ft2.....	ASTM D-4491.....	100
Permittivity, 1/sec.....	ASTM D-4491.....	1.8
A.O.S. Max US Std Sieve.....	ASTM D-4751.....	70
UV Stability, 500 hrs., %.....	ASTM D-4355.....	70
Seam Strength, lb./ft.....	ASTM D-4595.....	100
Fungus.....	ASTM G-21.....	No Growth

All values given represent minimum average roll values

* Horizontal Installation, gradient = 0.1, pressure = 10 psi for 100 hours