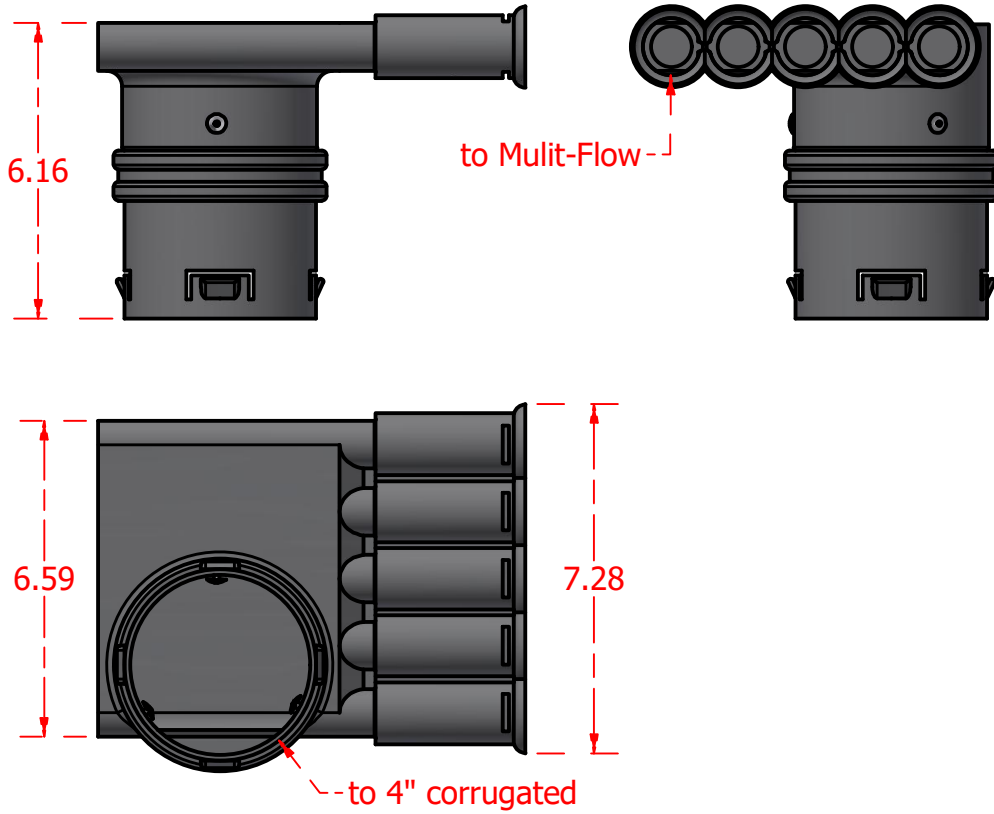
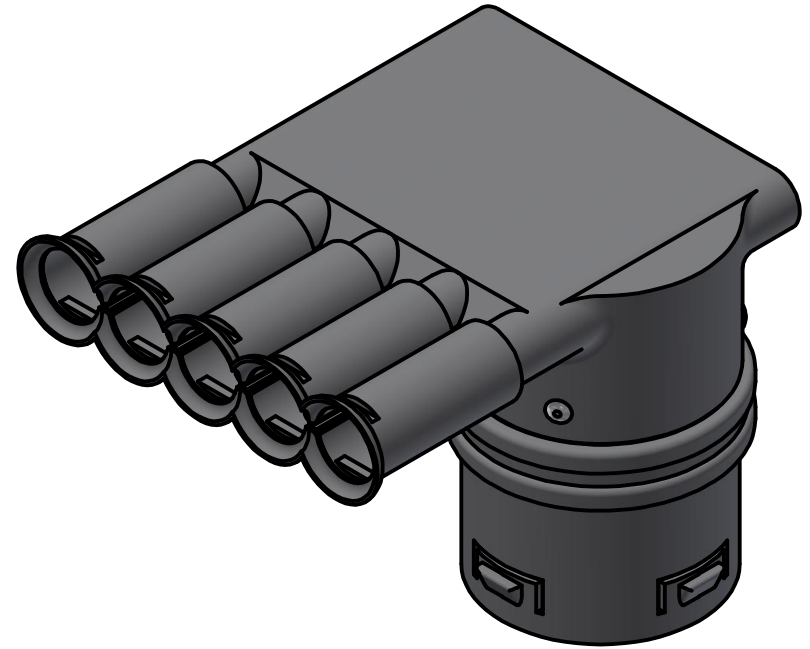


Standard Profiles



Isometric Views



Multi-Flow Product Data Sheet - #06023 6" Side Outlet to 4" Corrugated

MULTI-FLOW

Manufactured by Varicore Technologies, Inc. - Prinsburg, MN 56281 - 800.978.8007

The Multi-Flow logo is Copyright protected, all rights reserved.

US Patent Protect - 9483745856834

PROPERTY

Material Composition.....	High Density Polyethylene
Orientation.....	Horizontal or Vertical
Connection Type.....	Multi-Flow / 4" Corrugated HDPE

VALUE

