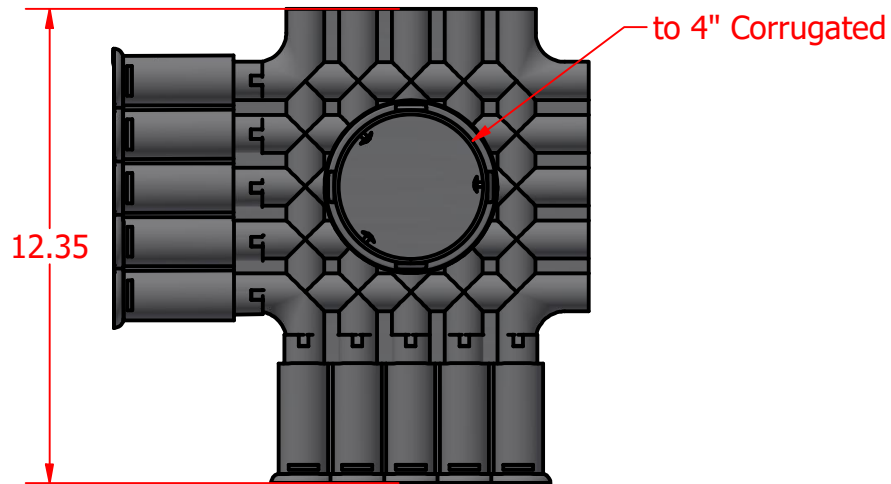
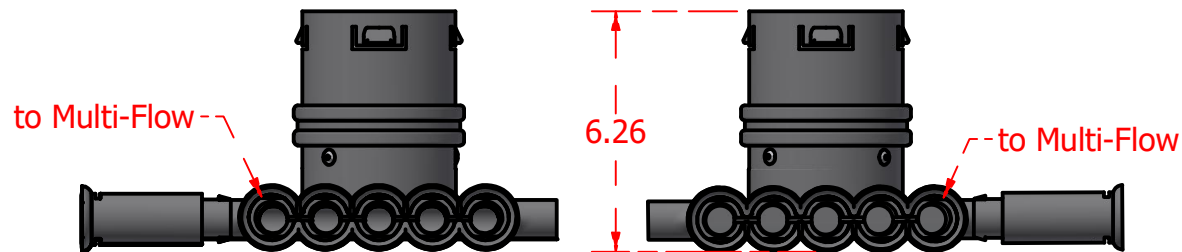
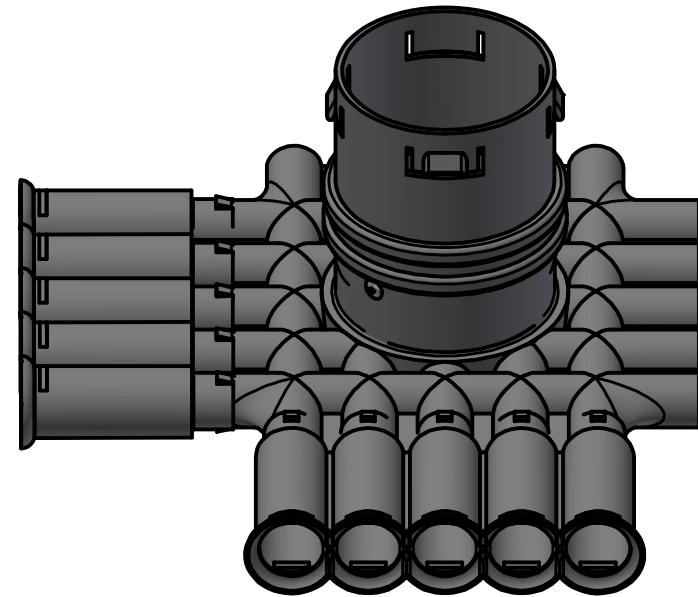


Standard Profiles



Isometric Views



Multi-Flow Product Data Sheet - #0602N 6" Horizontal Outlet to 4" Corrugated



Manufactured by Varicore Technologies, Inc. - Prinsburg, MN 56281 - 800.978.8007

The Multi-Flow logo is Copyright protected, all rights reserved.
US Patent Protect - 9483745856834

PROPERTY

VALUE

Material Composition.....High Density Polyethylene
Orientation.....Horizontal or Vertical
Connection Type.....Multi-Flow / 4" Corrugated HDPE

