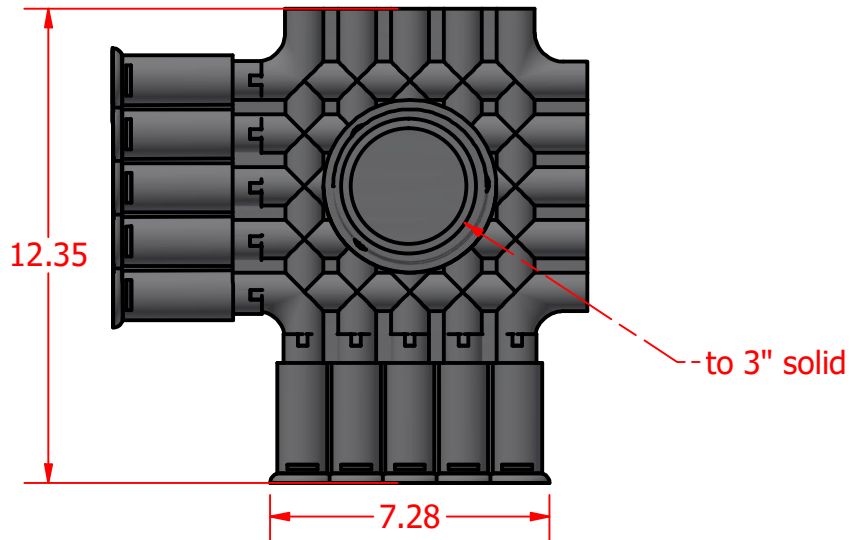
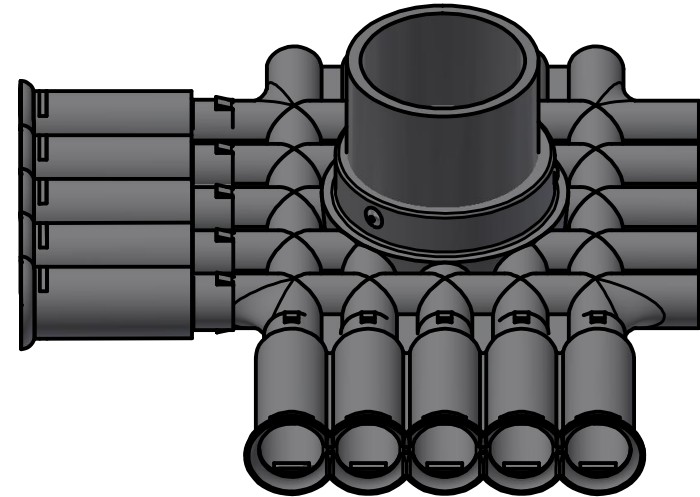


Standard Profiles



Isometric Views



Multi-Flow Product Data Sheet - #0604N 6" Horizontal Vent Assembly



Manufactured by Varicore Technologies, Inc. - Prinsburg, MN 56281 - 800.978.8007
 The Multi-Flow logo is Copyright protected, all rights reserved.
 US Patent Protect - 9483745856834

PROPERTY

VALUE

Material Composition.....	Thermoplastic
Attachment Method.....	Snap and Lock
Connection Type.....	Multi-Flow
Orientation.....	Vertical

