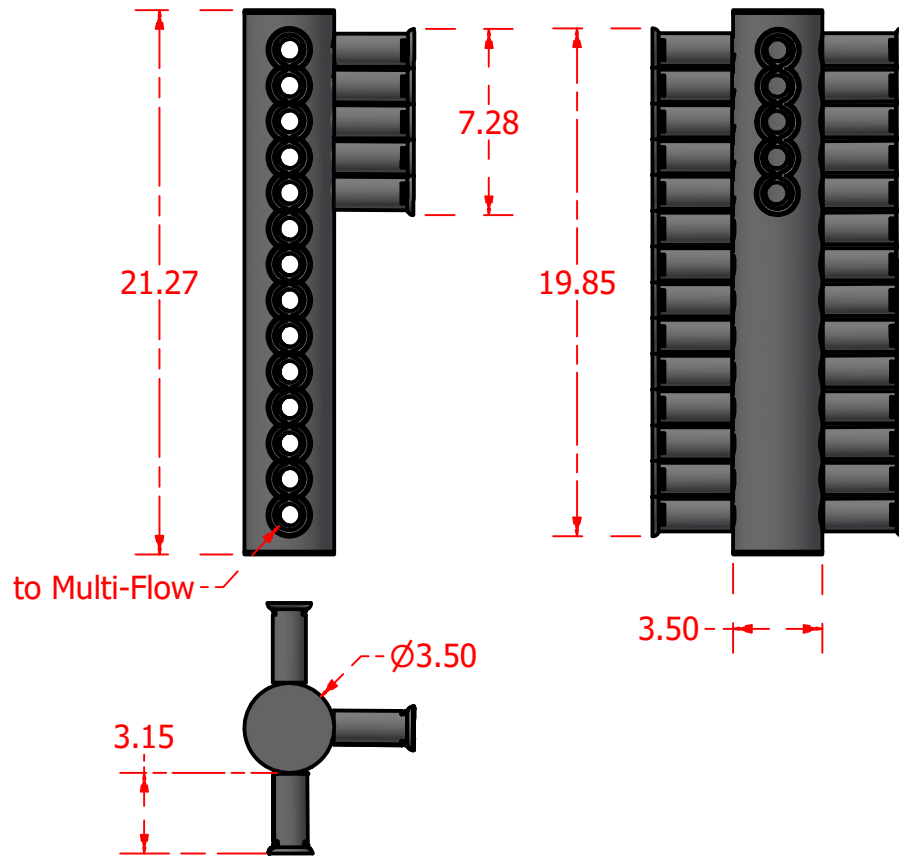
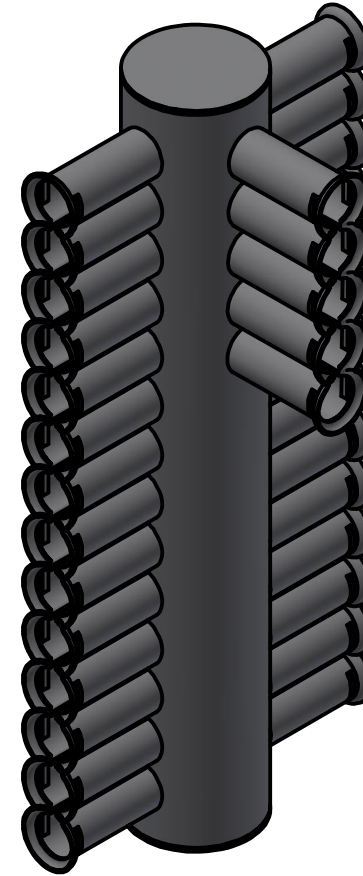


Standard Profiles



Isometric Views



Multi-Flow Product Data Sheet - #18001 Multi-Purpose 18" to 18" with 6" T

MULTI-FLOW

Manufactured by Varicore Technologies, Inc. - Prinsburg, MN 56281 - 800.978.8007

The Multi-Flow logo is Copyright protected, all rights reserved.

US Patent Protect - 9483745856834

PROPERTY

Material Composition.....Thermoplastic
 Orientation.....Vertical
 Connection Type.....Multi-Flow / 3" Sch 40

VALUE

