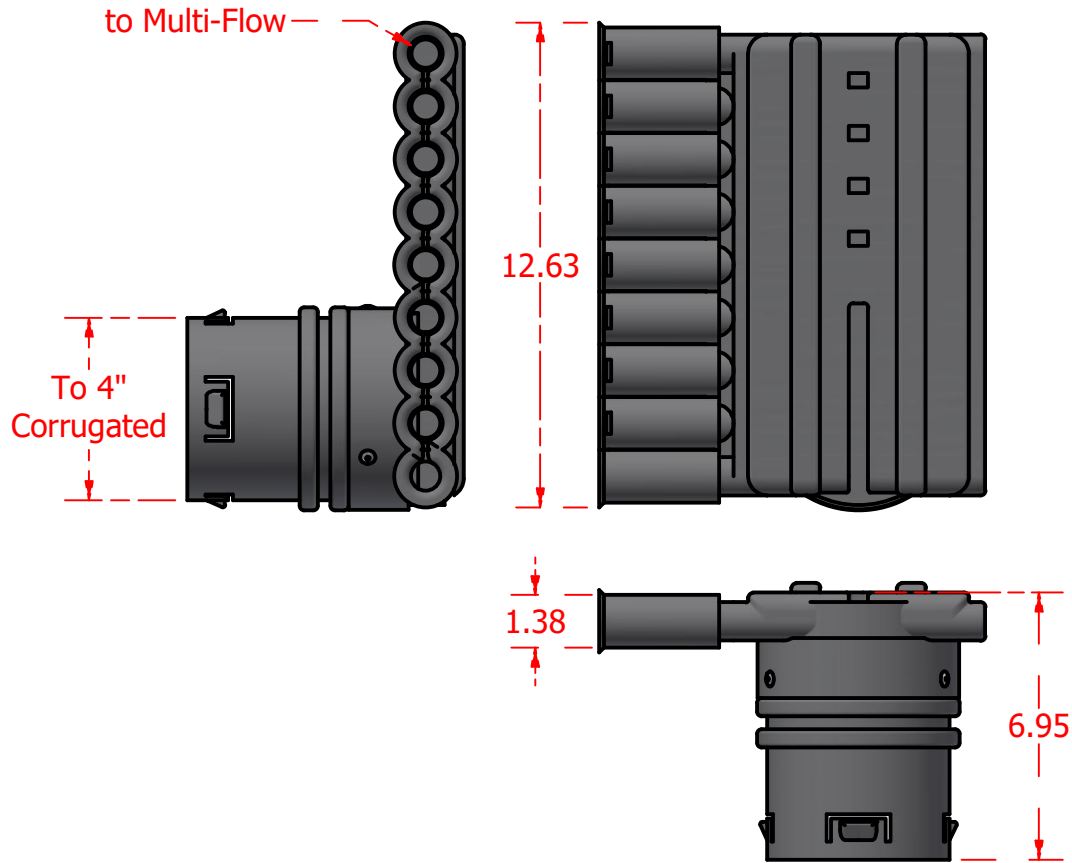
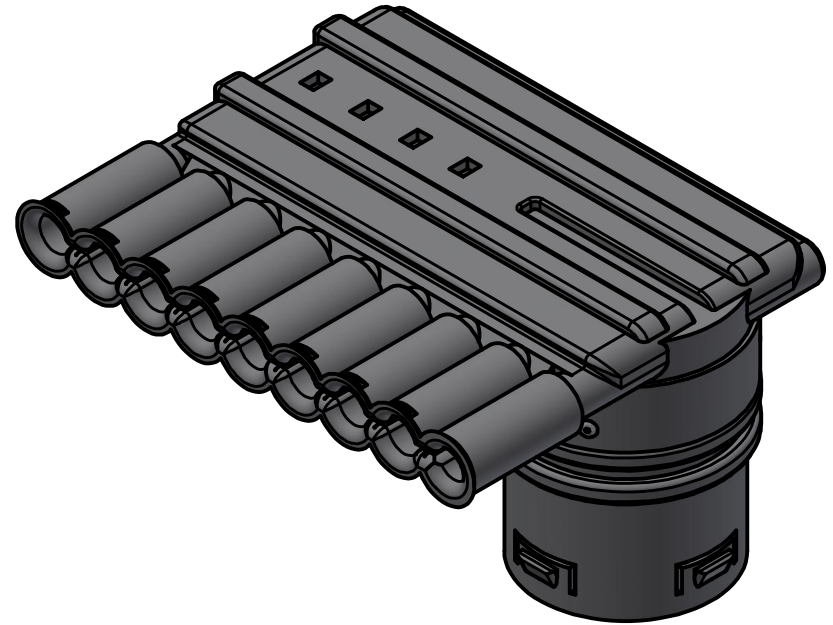


## Standard Profiles



## Isometric Views



## Multi-Flow Product Data Sheet - #12023 12" Side Outlet to Corrugated



Manufactured by Varicore Technologies, Inc. - Prinsburg, MN 56281 - 800.978.8007

The Multi-Flow logo is Copyright protected, all rights reserved.

US Patent Protect - 9483745856834

### PROPERTY

Material Composition.....	High Density Polyethylene
Compressive Strength, psf.....	final assembly exceeds 6000lbs./ASTM
Flow Rate.....	>17gpm/ft.
Attachment Method.....	Snap and Lock
Orientation.....	Horizontal or Vertical
Connection Type.....	Single Wall and Dual-Wall HDPE

### VALUE

