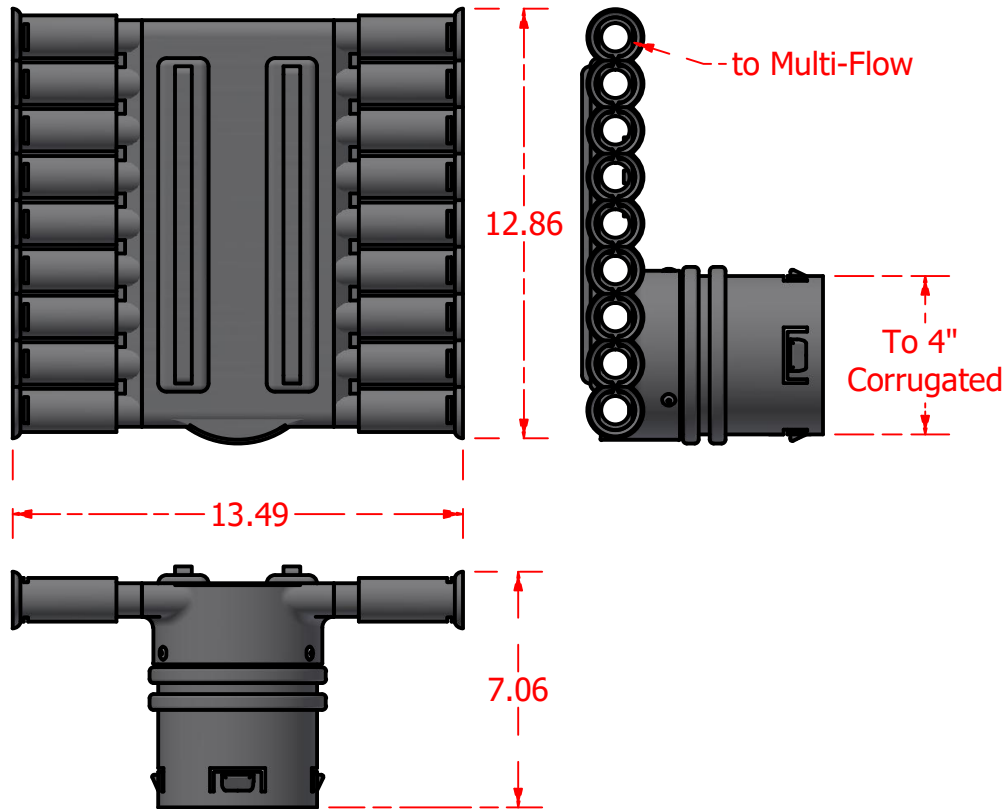
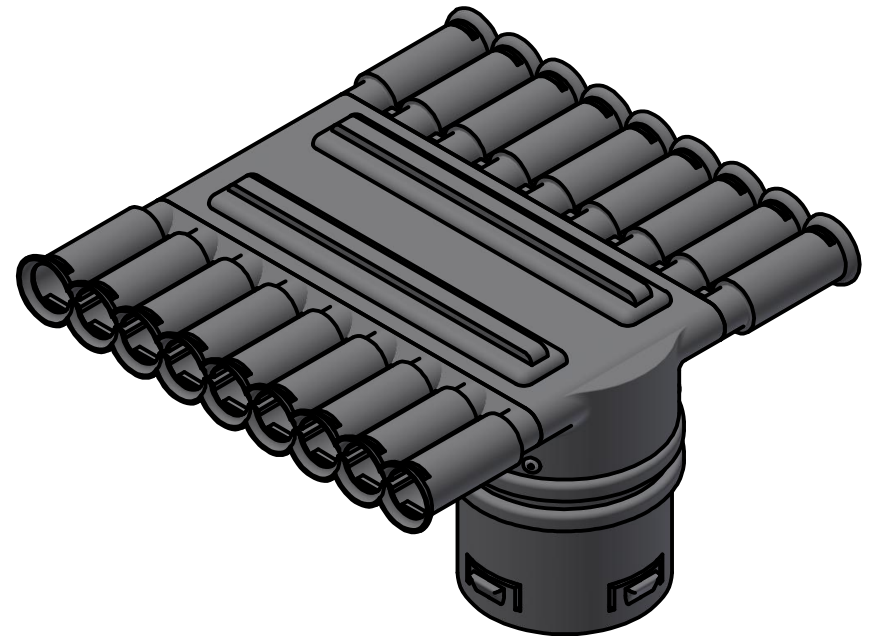


Standard Profiles



Isometric Views



Multi-Flow Product Data Sheet - #12033 12" Inline Side Outlet to Corrugated



Manufactured by Varicore Technologies, Inc. - Prinsburg, MN 56281 - 800.978.8007

The Multi-Flow logo is Copyright protected, all rights reserved.

US Patent Protect - 9483745856834

PROPERTY

Material Composition.....High Density Polyethylene
 Compressive Strength, psf.....final assembly exceeds 6000lbs./ASTM
 Flow Rate.....>17gpm/ft.
 Attachment Method.....Snap and Lock
 Orientation.....Horizontal or Vertical
 Connection Type.....Single Wall and Dual-Wall HDPE

VALUE

